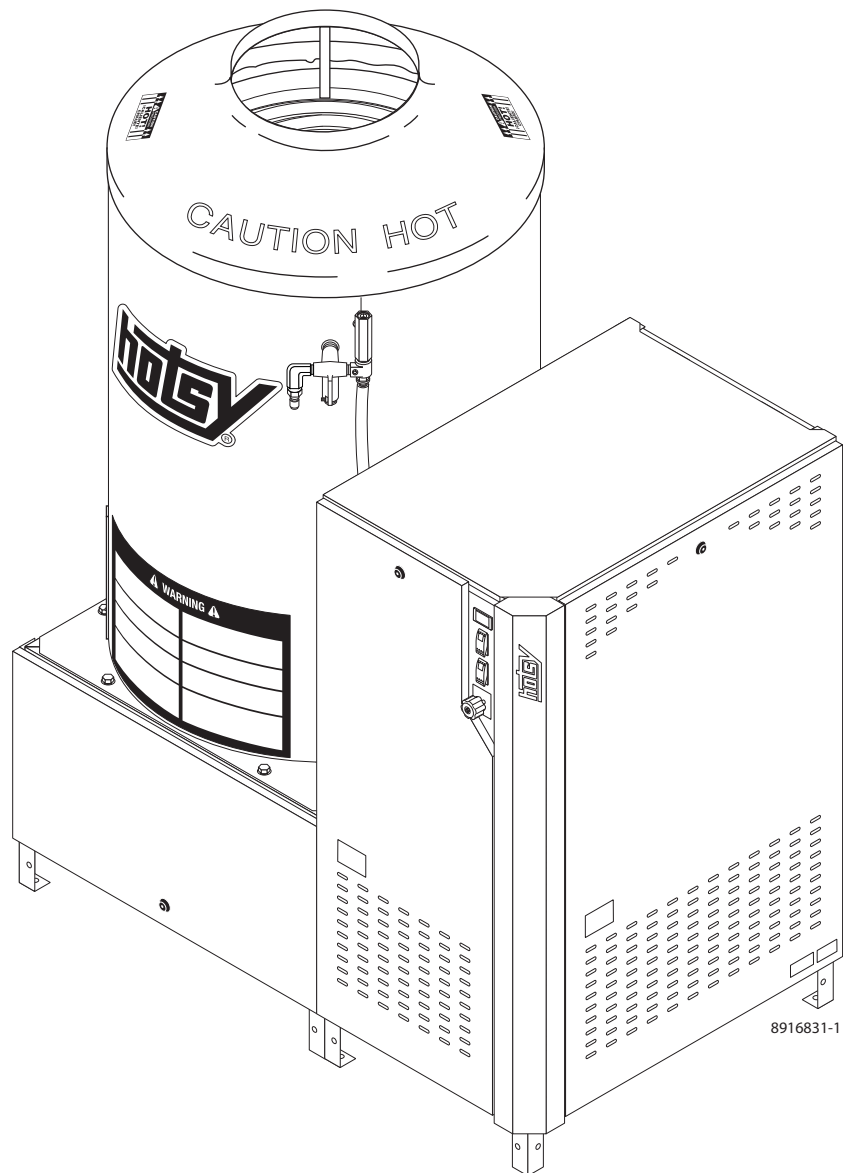




STATIONARY ELECTRIC

OPERATOR'S MANUAL



For technical assistance or the dealer nearest you consult our web page at
www.hotsy.com

8.916-831.0

General Safety Information	4-6
Component Identification	7
Assembly	8
Installation.....	9-10
Operation	11
Cleaning Techniques & Storage.....	12
Maintenance	13
Troubleshooting	14
Warranty	

IMPORTANT

If the pressure washer demonstrates other symptoms or the corrective actions listed do not correct the problem, contact the local authorized Hotsy Service Center. The Hotsy Service Center can be identified by visiting www.hotsy.com.

When ordering from your dealer, please provide the following:

Model Number: _____ **Date of Purchase:** _____

Machine Serial Number: _____

Component Part Number: _____

Description: _____

The model and serial numbers will be found on a decal attached to the pressure washer. You should record both serial number and date of purchase and keep in a safe place for future reference.

GAS-FIRED SERIES OPTIONAL EQUIPMENT

9.801-040.0 Draft Diverter-10"

8.717-730.0 Draft Diverter-12"

INTRODUCTION & IMPORTANT SAFETY INFORMATION

Thank you for purchasing this Pressure Washer.

We reserve the right to make changes at any time without incurring any obligation.

Owner/User Responsibility:

The owner and/or user must have an understanding of the manufacturer's operating instructions and warnings before using this pressure washer. Warning information should be emphasized and understood. If the operator is not fluent in English, the manufacturer's instructions and warnings shall be read to and discussed with the operator in the operator's native language by the purchaser/owner, making sure that the operator comprehends its contents.

Owner and/or user must study and maintain for future reference the manufacturers' instructions.

The operator must know how to stop the machine quickly and understand the operation of all controls. Never permit anyone to operate the engine without proper instructions.

This manual should be considered a permanent part of the machine and should remain with it if machine is resold.

When ordering parts, please specify model and serial number. Use only identical replacement parts.

This machine is to be used only by trained operators.

IMPORTANT SAFETY INFORMATION



WARNING: To reduce the risk of injury, read operating instructions carefully before using.

1. Read the owner's manual thoroughly. Failure to follow instructions could cause malfunction of the machine and result in death, serious bodily injury and/or property damage.
2. Know how to stop the machine and bleed pressure quickly. Be thoroughly familiar with the controls.
3. Stay alert — watch what you are doing.
4. Do not replace LP tank while machine is running.
5. All installations must comply with local codes. Contact your electrician, plumber, utility company or the selling distributor for specific details. If your machine is rated 250 volts or less, single phase will be provided with a ground fault circuit interrupter (GFCI). If rated more than 250 volts, or more than single phase this product should only be connected to a power supply receptacle protected by a GFCI.

DANGER: Improper connection of the equipment-grounding conductor can result in a risk of electrocution. Check with a qualified electrician or service personnel if you are in doubt as to whether the outlet is properly grounded. Do not modify the plug provided with the product - if it will not fit the outlet, have a proper outlet installed by a qualified electrician. Do not use any type of adaptor with this product.



WARNING: Keep wand, hose, and water spray away from electric wiring or fatal electric shock may result.

6. To protect the operator from electrical shock, the machine must be electrically grounded. It is the responsibility of the owner to connect this machine

to a UL grounded receptacle of proper voltage and amperage ratings. Do not spray water on or near electrical components. Do not touch machine with wet hands or while standing in water. Always disconnect power before servicing.



WARNING: Flammable liquids can create fumes which can ignite, causing property damage or severe injury.

WARNING: Risk of explosion — Operate only where open flame or torch is permitted.



WARNING: Risk of fire — Do not change tanks when the product is operating or still hot.

WARNING: Use vapor fuel only.

7. Oil burning appliances shall be installed only in locations where combustible dusts and flammable gases or vapors

are not present. Do not store or use gasoline near this machine.

8. Keep operating area clear of all persons.



WARNING: High pressure spray can cause paint chips or other particles to become airborne and fly at high speeds. To avoid personal injury, eye, hand and foot safety devices must be worn.

9. Eye, hand, and foot protection must be worn when using this equipment.

IMPORTANT SAFETY INFORMATION



WARNING: This machine exceeds 85 db appropriate ear protection must be worn.



CAUTION: Hot discharge fluid. Do not touch or direct discharge stream at persons.

WARNING: This machine produces hot water and must have insulated components attached to protect the operator.



WARNING: Risk of injury. Hot surfaces can cause burns. Use only designated gripping areas of spray gun and wand. Do not place hands or feet on non-insulated areas of the pressure washer.

10. To reduce the risk of injury, close supervision is necessary when a machine is used near children. Do not allow children to operate the pressure washer. This machine must be attended during operation.



WARNING: Grip cleaning wand securely with both hands before starting. Failure to do this could result in injury from a whipping wand.

11. Never make adjustments on machine while in operation.
12. Be certain all quick coupler fittings are secured before using pressure washer.



WARNING: High pressure developed by these machines will cause personal injury or equipment damage. Keep clear of nozzle. Use caution when operating. Do not direct discharge stream at people, or severe injury or death will result.



WARNING: Protect machine from freezing.

13. To keep machine in best operating conditions, it is important you protect machine from freezing. Failure to protect machine from freezing could cause malfunction of the machine and result in death, serious bodily injury, and/or property damage. Follow storage instructions specified in this manual.

14. Inlet water must be clean fresh water and no hotter than 90°F.



WARNING: Risk of asphyxiation. Use this product only in a well ventilated area.

15. Avoid installing machines in small areas or near exhaust fans. Adequate oxygen is needed for combustion or dangerous carbon monoxide will result.

16. Manufacturer will not be liable for any changes made to our standard machines or any components not purchased from us.

17. The best insurance against an accident is precaution and knowledge of the machine.



WARNING: Be extremely careful when using a ladder, scaffolding or any other relatively unstable location. The cleaning area should have adequate slopes and drainage to reduce the possibility of a fall due to slippery surfaces.

18. Do not overreach or stand on unstable support. Keep good footing and balance at all times.

19. Do not operate this machine when fatigued or under the influence of alcohol, prescription medications, or drugs.

20. Follow the maintenance instructions specified in the manual.

21. Do not replace LP tank while machine is running. Serious injury could result.

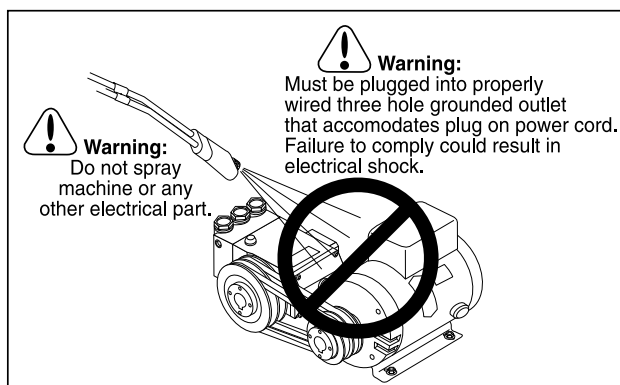
WARNING: Use vapor fuel only.

22. The LP models are designed to run on vapor propane fuel. Do not use liquid fuel. Have a qualified serviceman install and service your equipment.

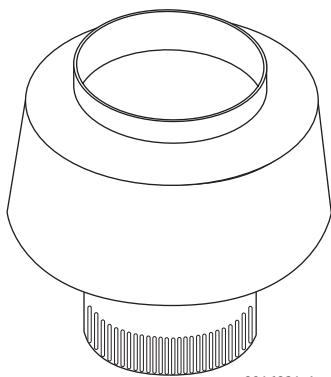
IMPORTANT SAFETY INFORMATION

23. Never expose a spark or flame where there may be unburned gas present.
24. Install the machine 18" above the floor and about 2 feet from wall providing adequate ventilation and space.
25. When making repairs disconnect from electrical source and shut off gas valve.
26. Install this machine on non combustible flooring.
27. Do not allow acids, caustic or abrasive fluids to pass through the pump.
28. Never run pump dry or leave spray gun closed longer than 1-2 minutes.

WARNING: If connection is made to portable water supply, a back flow device must be provided.



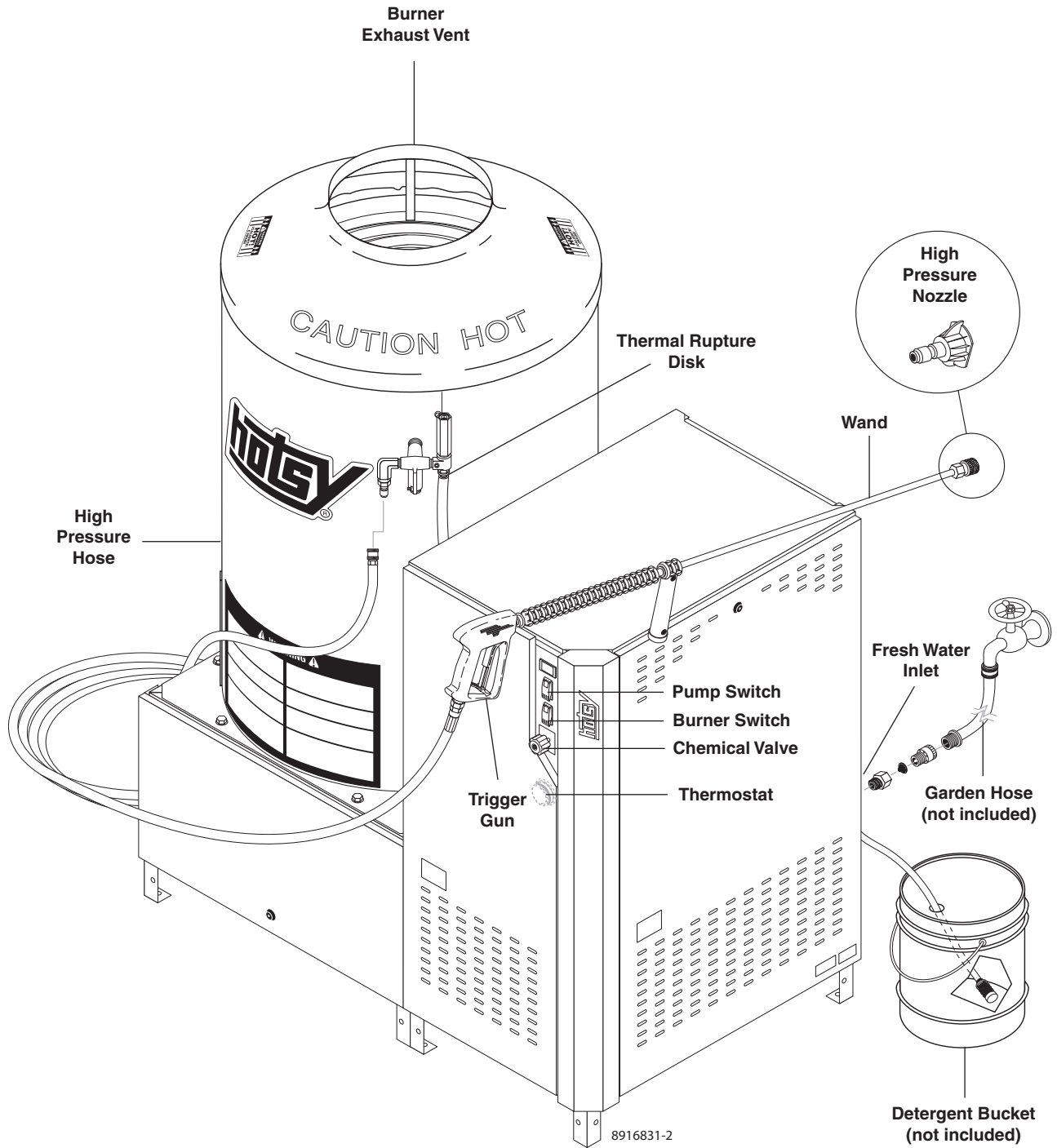
Follow the maintenance instructions specified in the manual.



**Example Of Down
Draft Diverter
For Gas Fired
Machines**

8916831-4

COMPONENT IDENTIFICATION



ASSEMBLY INSTRUCTIONS

Unpacking

Unpack carefully. Wear safety glasses or goggles while unpacking, assembling, or operating pressure washer. If there are missing components or hidden damage, immediately contact carrier concerning discrepancies.

1. Remove the two bolts that secure the pressure washer to the pallet.
2. Remove pressure washer from pallet.

Parts Included

- Pressure Washer
- Pressure Hose
- Wand
- Trigger Gun
- Hose Hangers (2 Ea.)
- Parts Bag Containing:
 - Reducer Bushing
 - Pressure Nozzles (3 Ea.)
 - Adapter Nipple
 - Adapter Nut
 - Hose Clamp
 - Quick Disconnects (2 Ea.)
 - Garden Hose Gasket
 - Spring
 - Quick Disconnect Plug
 - Detergent Screen
- Operating Instructions and Parts Manual
- Oil Burner Manual

Tools Required

- 10" Adjustable Wrenches (2 Ea.)
- Teflon Tape

Pressure Hose, Trigger Gun and Wand

1. When assembling, use teflon tape on all plumbing connections to prevent leakage.
2. Install the pressure hose on the pressure washer as shown in **Figure 1**.

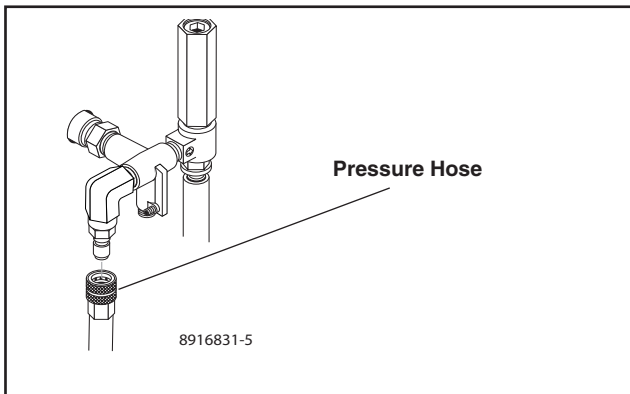


Figure 1 - Pressure Hose Installation

3. Assemble wand components as shown in **Figure 2**.

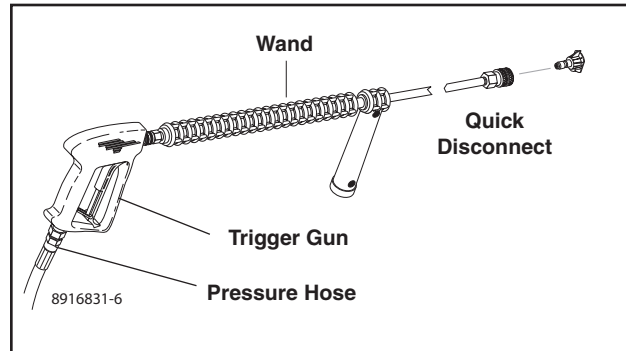


Figure 2 - Trigger Gun/Wand Assembly

NOTE: The pressure nozzle is not to be installed at this time.

4. Install garden hose adapter on float tank as shown in **Figure 3**.
5. Make sure all plumbing connections are tight.

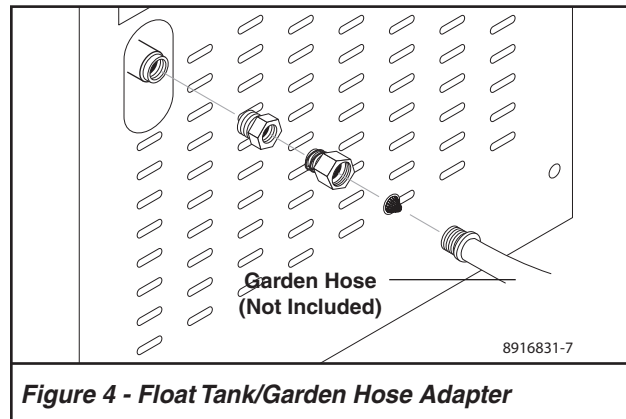


Figure 4 - Float Tank/Garden Hose Adapter

INSTALLATION INSTRUCTIONS

Getting Started

IMPORTANT: Proper initial installation of equipment will assure more satisfactory performance, longer service life, and lower maintenance cost.

IMPORTANT: The use of a backflow preventer on the water supply hose is recommended and may be required by local code.

The pressure washer should be run on a level surface and in a protected area where it is not readily influenced by outside forces such as strong winds, freezing temperatures, rain, etc. The pressure washer should be located to assure easy access for filling of fluids, adjustments and maintenance. Normal precautions should be taken by the operator to prevent moisture from reaching the pressure washer. It is recommended that a partition be made between the wash area and the pressure washer to prevent direct spray from the wand from coming in contact with the pressure washer. Moisture reaching the equipment will reduce the pressure washer's service life. All installations must comply with the local codes covering such installations.

Electrical

WARNING: Make sure all switches and controls are in the OFF position prior to connecting electrical supply.

WARNING: DO NOT stand in water while connecting and disconnecting electrical supply.

IMPORTANT: Consult local building codes for exact electrical requirements. Licensed contractors may be required.

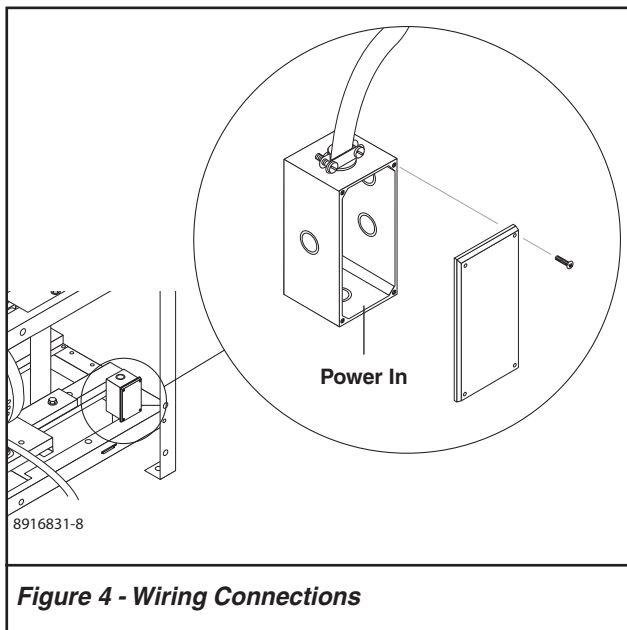


Figure 4 - Wiring Connections

This machine is designed for connection to an overload protected grounded circuit. It is recommended this circuit be protected by a UL approved ground fault circuit inter-

rupter (GFCI). An electrical disconnect must be provided in this circuit. All wiring must be of proper voltage and amperage rating and conform to applicable codes. Refer to **Figure 4** for wiring connections. A hole has been provided in the control box for attachment of 1 inch electrical conduit.

For proper operation the motor rotation is to be counter-clockwise as viewed looking towards the rear of the motor (opposite pump attachment). If the rotation is incorrect, interchange any two of the power supply connections to reverse rotation.

Venting

DANGER: DO NOT run machine indoors or in an enclosed area without proper ventilation, as exhaust fumes may be hazardous to your health.

DANGER: DO NOT operate machine in areas where flammable vapors (gasoline, solvents, etc.) may be present, as this machine may ignite the vapors.

CAUTION: All venting must be in accordance with applicable federal and state laws, and local ordinances. This machine is not to be connected to a type B gas vent. Consult local heating contractors.

If the pressure washer is to be used in an enclosed area, a flue must be installed to vent burner exhaust to the outside atmosphere. Be sure the flue is the same size as the burner exhaust vent on the pressure washer lid. Poor draft will cause the pressure washer to soot and not operate properly. When selecting the location for installation, beware of poorly ventilated locations or areas where exhaust fans may cause an insufficient supply of oxygen. Proper combustion can only be obtained when there is a sufficient supply of oxygen available for the amount of fuel being burned. If it is necessary to install the machine in a poorly ventilated area, outside fresh air may have to be piped to the burner and a fan installed to bring sufficient air into the machine. Locate the pressure washer so that the flue will be as straight as possible and protrude through the roof at a proper height and location to provide adequate draft. This oil fired pressure washer must have a draft regulator installed in the flue (available from most heating contractors). A draft regulator will permit proper upward flow of exhaust flue gases.

Hotsy natural and LP gas series pressure washers that incorporate a natural draft burner assembly designed to heat water that comes from the pressure washer pump require a draft diverter and vent pipe for exhausting to the outside. This operator's manual indicates this machine is to be vented through the ceiling using straight pipe or 45° elbows. It also discourages the use of any 90° venting elbows which restrict air flow through the burner causing poor burner conditions. If this machine is going to be installed to a 90° or extended exhaust vent run length which may restrict air flow it is recommended that a contractor install a power vent. When a contractor has found it impossible to vent through the ceiling then power venting can be calculated to help eliminate exhaust

INSTALLATION INSTRUCTIONS

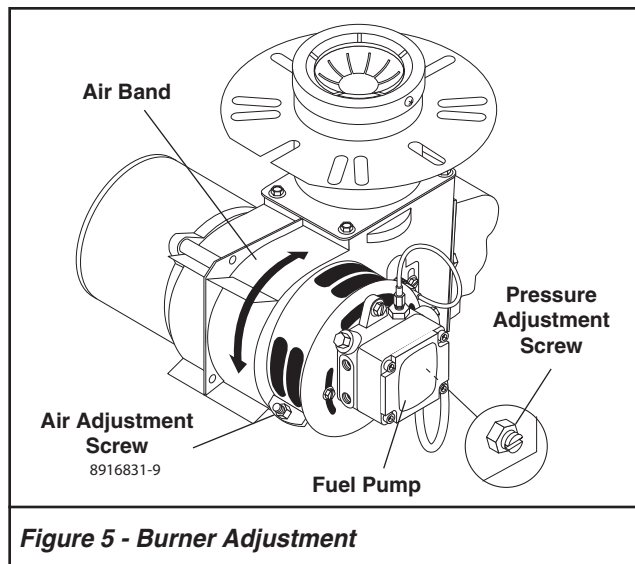
restriction on this natural draft machine. This draft inducer (power vent) must be installed by a licensed contractor who can calculate size, operation connections and associated dampeners. Hotsy is not a licensed contractor and as such we are unable to make recommendations for suitable make and model of power vents.

It is important that the licensed contractor consult local building codes. Hotsy can only make recommendations and the selection of the venting must take into account the type of roof or wall material it contacts which could change the vent requirement for compliance with local building codes

Oil Burner

Burner Air Adjustment: The oil burner is preset and performance tested at the factory (elevation 500 feet). A onetime initial correction of the burner for your location will pay off in economy, performance, and extended service life.

To adjust, start machine and turn burner ON (refer to Operation for details). Loosen locking screw (refer to **Figure 5**) and close air band until black smoke appears from burner exhaust vent. Note air band position. Next, slowly open the air band until white smoke just starts to appear. Turn air band halfway back to the black smoke position previously noted. Tighten locking screw.



CAUTION: If white smoke appears from burner exhaust vent during start-up or operation, discontinue use and readjust air bands.

NOTE: If a flue is installed, have a professional serviceman adjust your burner for a #1 or #2 smoke spot on the Bacharach scale.

For additional burner information, refer to **Oil Burner Manual** provided with this pressure washer.

Gas Burner

CAUTION: Have a qualified gas serviceman install and service your equipment.

WARNING: Gas line supply pressure must not exceed 14 water column inches (.50 PSI).

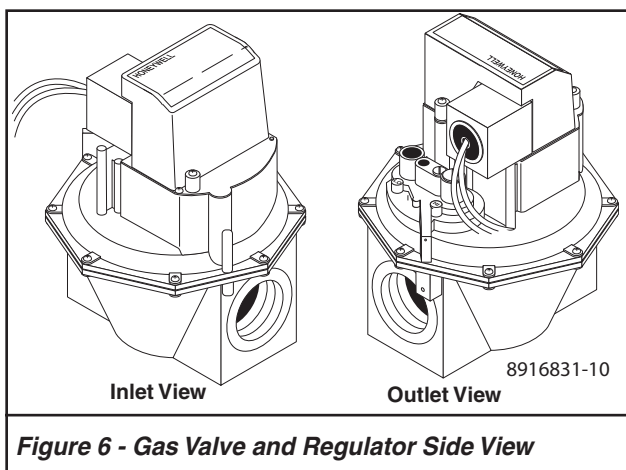
IMPORTANT: Gas line must be provided with a shut off valve.

IMPORTANT: The gas supply must be able to supply a minimum of 525,000 BTU/HR at the machines rated manifold pressure.

Consult building codes for installation requirements. For proper and safe machine operation, we recommend that a licensed contractor be consulted for machine installation.

Natural Gas Fuel

Have a qualified gas serviceman install the natural gas fuel supply line to the machine. See **Figure 6** for location of gas inlet.



Gas Valve

The ideal incoming gas pressure is 11 w.c.i. (water column inches) minimum 6 w.c.i., maximum 14 w.c.i. or 1/2 psig. The correct operating manifold pressure for natural gas is 3.5 w.c.i. The operating manifold pressure for propane gas is 11 w.c.i. The gas valve pressure regulator can be adjusted between 3 and 4 w.c.i. natural gas or 6 and 11 w.c.i. for propane.

The gas pressure coming out of the regulator and going to the burner ring has been factory set. You should not readjust the burner ring gas pressure. If you replace your gas valve, you will need to adjust the new valve. Refer to your machine's **specification plate** for the correct pressure setting. Follow the installation and adjustment instructions provided with your replacement valve.

OPERATION INSTRUCTIONS

Before Starting

1. Read all manuals provided with this pressure washer. Become familiar with location and function of all operating and safety controls.
2. Check pump oil level.

WARNING: Check hoses, fittings, wand, trigger gun and fuel connections daily for signs of wear, cracks and looseness, and replace as required.

3. Connect water supply hose to the garden hose connector located on the float tank. The water faucet and supply hose must be capable of providing a minimum of 8.0 gallons per minute (GPM).
4. Fill oil burner fuel tank. Use kerosene, #1 grade home heating oil, #1 or #2 diesel fuel. **DO NOT USE GASOLINE, CRANKCASE OIL DRAININGS, OR WASTE OIL.**
5. If detergents are to be used, only use detergents intended for pressure washers. Follow instructions on the detergent container.

IMPORTANT: Before installing nozzle on initial start-up, turn on the water supply and pump switch and allow water to run from the end of the wand until clear to prevent the nozzle from clogging.

IMPORTANT: If the pressure washer has not been used for an extended period of time, remove the nozzle from the end of the wand and turn on water supply and pump switch. Allow water to run from the end of the wand until clear.

6. Install the proper pressure nozzle on end of wand for your cleaning needs, refer to **Figure 7**.

IMPORTANT: The trigger gun provided with this pres-

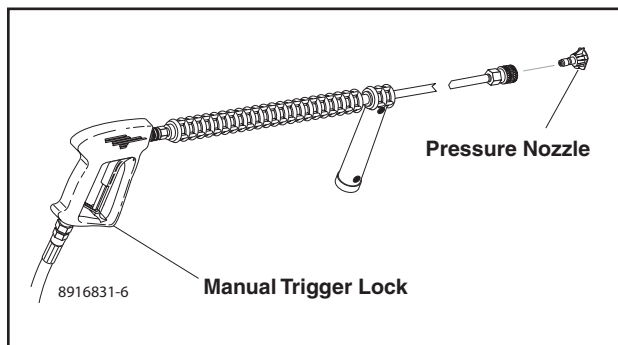


Figure 7 - Nozzle Installation/Manual Trigger Lock

sure washer is equipped with a manual trigger lock to prevent accidental operation of the trigger gun, refer to Figure 9. The trigger lock should be used whenever the trigger gun is not in use.

To Start

DANGER: DO NOT point wand or trigger gun at yourself or at any person. Bodily injury may result from water under high pressure.

WARNING: Wear eye, ear, hand, foot and skin protection at all times while operating pressure washer.

IMPORTANT: The water must be turned on before starting. Running the pump dry will cause damage and void warranty.

IMPORTANT: DO NOT allow the machine to run with trigger of the trigger gun released for more than 10 minutes at any one time or damage to pump may occur.

1. Turn ON water supply.
2. Hold wand firmly, release trigger of trigger gun and press pump start switch. Squeeze trigger of trigger gun and allow air to purge from system.
3. If HOT water is desired, adjust the thermostat to the proper temperature and turn burner switch ON. The burner will light immediately with a small puff of smoke. You may need to initially adjust your burner for peak performance. See **Oil Burner** section under Installation. If smoke continues, refer to the **Oil Burner Manual** (P/N 783879) provided with this pressure washer or contact **Customer Service at 1-303-792-5200**. When the trigger of the trigger gun is released or when the thermostat temperature setting is reached, the burner will automatically turn off.

To Stop

1. If detergents were used, draw clear water through the detergent inlet line to purge detergent. Failure to do so may clog detergent metering valve.
2. If burner was used, turn OFF burner switch and allow pump to run cold water through coil for several minutes.
3. Press pump STOP switch.
4. Turn water supply OFF.
5. Squeeze trigger of trigger gun to relieve system pressure.

GENERAL CLEANING TECHNIQUES & STORAGE

CLEANING TECHNIQUES

Pre-rinse cleaning surface with fresh water. Place detergent suction tube directly into cleaning solution and apply to surface at low pressure (for best results, limit your work area to sections approximately 6 feet square and always apply detergent from bottom to top). Allow detergent to remain on surface 1-3 minutes. Do not allow detergent to dry on surface. If surface appears to be drying, simply wet down surface with fresh water. If needed, use brush to remove stubborn dirt. Rinse at high pressure from top to bottom in an even sweeping motion keeping the spray nozzle approximately 1 foot from cleaning surface. Use overlapping strokes as you clean and rinse any surface. For best surface cleaning action spray at a slight angle.

Recommendations:

- Before cleaning any surface, an inconspicuous area should be cleaned to test spray pattern and distance for maximum cleaning results.
- If painted surfaces are peeling or chipping, use extreme caution as pressure washer may remove the loose paint from the surface.
- Keep the spray nozzle a safe distance from the surface you plan to clean. High pressure wash a small area, then check the surface for damage. If no damage is found, continue to pressure washing.



CAUTION - Never use:

- Bleach, chlorine products and other corrosive chemicals
- Liquids containing solvents (i.e., paint thinner, gasoline, oils)
- Tri-sodium phosphate products
- Ammonia products
- Acid-based products

These chemicals will harm the machine and will damage the surface being cleaned.

RINSING

It will take a few seconds for the detergent to clear. Apply safety latch to spray gun. Select and install desired high pressure nozzle. **NOTE:** You can also stop detergent from flowing by removing detergent siphon tube from bottle.

STORAGE

DANGER: DO NOT store flammable liquids (gasoline, diesel fuel, solvents, etc.) near pressure washer, or in non-ventilated areas.

Protect from freezing by storing in a heated area, or by flushing the system with antifreeze (use an automotive engine antifreeze or windshield washer solvent to antifreeze). To flush the system fill the float tank with antifreeze and remove pressure nozzle from wand. Start the machine and allow it to run until antifreeze flows from the end of the wand. Place end of wand into float tank and circulate the antifreeze through system for several minutes. Squeeze and release the trigger of the trigger gun several times to antifreeze the unloader system. Also draw antifreeze through the detergent inlet line to antifreeze the detergent system. For added protection after antifreezing, disconnect the pressure hose from machine and remove the coil drain plug. After coil has drained, replace pressure hose and coil drain plug. If the pressure washer is not to be used for an extended length of time, it is recommended that the system be flushed with antifreeze for rust protection.

MAINTENANCE

WARNING: *Unauthorized machine modification or use of non-approved replacement parts may cause personal injury and/or property damage and will void the manufacturer warranty.*

Pump

Lubrication: To lubricate pump, use 30W non-detergent oil for pump crankcase. Crankcase must be filled to center of sight glass window found on the rear of the pump, refer to **Figure 8**. During the break-in-period, make sure the oil is changed after the first 25 hours of operation. After that, replace oil every 3 months or 300 hours of operation, whichever comes first.

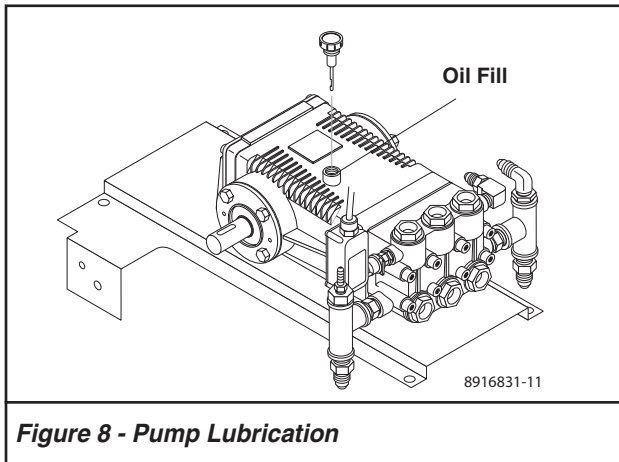


Figure 8 - Pump Lubrication

Proper Pump Care:

- **DO NOT** pump acids.
- **DO NOT** allow pump to run dry.
- Winterize if storing in freezing temperatures, refer to **Storage** for details.
- Use a water softener on the water system if known to be high in mineral content.
- Use only high quality detergents and follow manufacturer's mix recommendations.
- Flush the system with clear water immediately after using detergent solutions.
- Clean filter screen on detergent inlet line periodically.
- Flush the pressure washer system with antifreeze if storing for an extended period of time, refer to **Storage** to details.

Pump Motor

Inspect the pump motor at regular intervals. The exterior of the motor should be kept free of dirt, oil, grease, water, etc. Keep all ventilation openings free from debris. If the motor is equipped with grease fittings, lubricate the motor after every 1000 hours of operation with Chevron SRI #2 lubricant or equivalent. If the motor is not equipped with grease fittings, the pump motor bearings are permanently lubricated and will not require any additional lubrication.

Oil Burner

Refer to **Oil Burner Manual** provided with this pressure washer for recommended maintenance.

Relief Valve

WARNING: *The relief valve on this pressure washer has been factory set and sealed and is a field nonadjustable part. Tampering with the factory setting may cause personal injury and/or property damage, and will void the manufacturer warranty.*

Unloader Valve

WARNING: *The unloader valve on this pressure washer has been factory set and sealed and is a field nonadjustable part. Tampering with the factory setting may cause personal injury and/or property damage, and will void the manufacturer warranty.*

Burner Fuel Filter (Oil fired models only)

Drain any water which has accumulated in fuel filter and clean or replace filter element as needed.

Heating Coil

Coil Descaling: In hard water areas, scale buildup within the heating coil will occur. Scale deposits will decrease the water temperature rise and may eventually clog the heating coil. Contact your local service center when descaling is needed.

Coil Desooting: Poor grades of fuel oil or inadequate combustion air will cause heavy soot buildup on the outside surface of the heating coil. These deposits will insulate the coil. This will restrict the air flow through the coil, further aggravating the soot buildup. Contact your local service center when desooting is needed.

TROUBLESHOOTING GUIDE

SYMPTOM	POSSIBLE CAUSES	CORRECTIVE ACTION
PRESSURE WASHER WILL NOT RUN	Pump switch in OFF position.	Place switch in ON position.
	Power supply disconnected.	Connect power supply.
	Fuse blown or circuit breaker tripped in electrical supply line.	Replace fuse or reset circuit breaker. Use only circuits of adequate capacity.
	Motor circuit overload tripped.	Allow sufficient time for motor to cool down. Place pump switch in ON position.
PRESSURE WASHER RUNS BUT WON'T SPRAY	Trigger of trigger gun released.	Squeeze trigger.
	Water supply not turned on.	Open water supply valve.
	Clogged pressure nozzle.	Clean pressure nozzle opening.
	Inlet water screen clogged.	Check screen and clean if necessary.
	Pump sucking air.	Fill the detergent container and check for loose hose clamps or fittings.
LOW SPRAY PRESSURE AT NOZZLE	Inadequate water supply.	Fully open faucet. Check for kinked or damaged hose. Use 5/8" minimum hose. Check for debris clogging inlet screen."
	Partially clogged or damaged pressure nozzle.	Clean or replace.
	Air being drawn through detergent inlet line.	Refill detergent container. Ensure that pick-up screen is fully immersed.
UNEVEN SPRAY PATTERN	Partially clogged or damaged pressure nozzle.	Clean or replace.
PRESSURE WASHER WILL NOT PRODUCE HOT WATER WATER (CONTINUED)	Burner switch in OFF position.	Place switch in ON position.
	Gas valve switch in OFF position.	Place switch in ON position.
	Inadequate fuel supply.	Check fuel supply.
	Pump switch turned off.	Pump must be running before burner will light.



**HOTSY LIMITED NEW PRODUCT WARRANTY
PRESSURE WASHERS
WHAT THIS WARRANTY COVERS**

Hotsy pressure washers are warranted by Hotsy to the original purchaser to be free from defects in materials and workmanship under normal use, for the periods specified below. This Limited Warranty is subject to the exclusions shown below, calculated from the date of the original purchase, and applies to the original components only. Any parts replaced under this warranty will assume the remainder of the part's warranty period.

SEVEN YEAR PARTS AND ONE YEAR LABOR WARRANTY:

Components manufactured by Hotsy, such as frames, handles, top and bottom wraps, float tanks, fuel tanks, belt guards, and internal components on the oil-end of HOTSYS manufactured pumps. General, AR, Liberty, Comet and swash and wobble type pumps have a one year warranty. Heating coils have a five year warranty from date of original machine purchase.

ONE YEAR PARTS AND ONE YEAR LABOR WARRANTY:

Other components, excluding normal wear items as described below, will be warranted for one year on parts and labor. Parts and labor warranty on these parts will be for one year regardless of the duration of the original component manufacturer's part warranty.

WARRANTY PROVIDED BY OTHER MANUFACTURERS:

Motors, generators, and engines, which are warranted by their respective manufacturers, are serviced through these manufacturers' local authorized service centers. Hotsy is not authorized and has no responsibility to provide warranty service on such components.

WHAT THIS WARRANTY DOES NOT COVER

This warranty does not cover the following items:

1. Normal wear items, such as nozzles, spray guns, discharge hoses, wands, quick couplers, seals, filters, gaskets, O-rings, packings, pistons, pump valve assemblies, strainers, belts, brushes, rupture disks, fuses, pump protectors.
2. Damage or malfunctions resulting from accidents, abuse, modifications, alterations, incorrect installation, improper servicing, failure to follow manufacturer's maintenance instructions, or use of the equipment beyond its stated usage specifications as contained in the operator's manual.
3. Damage due to freezing, chemical deterioration, scale build up, rust, corrosion, or thermal expansion.
4. Damage to components from fluctuations in electrical or water supply.
5. Normal maintenance service, including adjustments, fuel system cleaning, and clearing of obstructions.
6. Transportation to service center, field labor charges, or freight damage.

WHAT YOU MUST DO TO OBTAIN WARRANTY SERVICE

In order to obtain warranty service on items warranted by Hotsy, you must return the product to your Authorized Hotsy Distributor, freight prepaid, with proof of purchase, within the applicable warranty period. If the product is permanently damaged, you must notify your Authorized Hotsy Distributor of the defect. Your Authorized Hotsy Distributor will file a claim with Hotsy, who must subsequently verify the defect. In most cases, the part must be returned to Hotsy freight prepaid with the claim. For warranty service on components warranted by other manufacturer's, your Authorized Hotsy Distributor can help you obtain warranty service through these manufacturers' local authorized service centers.

LIMITATION OF LIABILITY

Hotsy's liability for special, incidental, or consequential damages is expressly disclaimed. In no event shall Hotsy's liability exceed the purchase price of the product in question. Hotsy makes every effort to ensure that all illustrations and specifications are correct, however, these do not imply a warranty that the product is merchantable or fit for a particular purpose, or that the product will actually conform to the illustrations and specifications. Our obligation under this warranty is expressly limited at our option to the replacement or repair at a service facility or factory designated by us, of such part or parts as inspection shall disclose to have been defective. **THE WARRANTY CONTAINED HEREIN IS IN LIEU OF ALL OTHER WARRANTIES, EXPRESS OR IMPLIED, INCLUDING ANY IMPLIED WARRANTY OF MERCHANTABILITY OR FITNESS FOR A PARTICULAR PURPOSE ARE EXPRESSLY LIMITED TO THE DURATION OF THIS WRITTEN WARRANTY.** Hotsy does not authorize any other party, including authorized Hotsy Distributors, to make any representation or promise on behalf of Hotsy, or to modify the terms, conditions, or limitations in any way. It is the buyer's responsibility to ensure that installation and use of Hotsy products conforms to local codes. While Hotsy attempts to assure that its products meet local codes, it cannot be responsible for how the customer chooses to use or install the product. Some states do not allow limitations on how long an implied warranty lasts or the exclusion or limitation of incidental or consequential damages, the above limitation or exclusion may not apply to you. This warranty gives you specific legal rights and you may also have other rights which vary from state to state.

HOTSY
www.hotsy.com

If you are looking for replacement parts for your Hotsy, please contact your local dealer. You can find a dealer by calling Hotsy at 800-525-1976 or by visiting www.hotsy.com.

If you need service on your pressure washer, contact your local Hotsy dealer or visit www.Hotsy.com. Smart phone users scan the code below to link directly to the Service Request page.

