

HOTSY High-Pressure Hose

For use with: hot or cold-water pressure washer

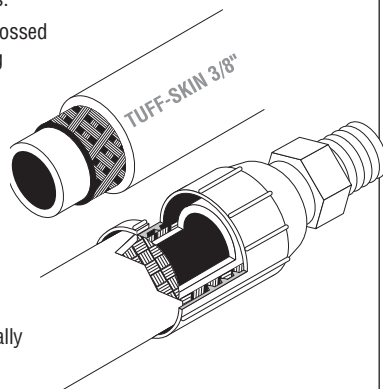
There is no other high-pressure hose as tough as HOTSY's Tuff-Skin™ hose. When tested to ISO 6945 / DIN 20024, the Tuff-Skin has proven to be seven times more abrasion resistant than standard pressure washer hoses yet is 20% more flexible. The Tuff-Skin, with its unique design, has been engineered for a greater continuous temperature range—from -40° to 275°F / 310°F intermittent—and for handling pressures of up to 6000 psi.

Besides its maximum-strength Class A ORS (Oil Resistance Standard)—most other brands are Class B—the Tuff-Skin has a “bite-the-wire” coupling that grips the hose better than any other design.

Both single-and double-wire braid hoses come with durable plastic sleeves on both ends—including a 24-inch sleeve on the gun end—for added operator protection against high-pressure bursts.



- **Greater Oil Resistance:** Both the tube and the cover carry the maximum class A ORS (Oil Resistance Rating) for longer life. Most brands of hose carry only a Class B rating.
- **Higher Temperature Rating:** Tuff-Skin hoses are rated for continuous temperatures up to 275°F / 310°F intermittent.
- **Special Wire Braid:** Unique design of braid gives Tuff-Skin hose added durability, greater working pressure and higher impulse cycle in both the double-and single-wire products.
- **Easily Identified:** Permanently embossed identification makes for easy tracing and owner protection.
- **Certified Burst Protection:** Tuff-Skin meets the stringent UL-1776 safety standards with two hose guards—including a 24-inch sleeve on the gun end—for added operator protection against bursts.
- **Higher Abrasion Resistance:** The Tuff-Skin cover has been specially compounded to deliver 7 times the abrasion resistance of other brands.
- **Additional Flexibility:** Even with extra durability, the braid design allows for 20% more flexibility than other brands.
- **Unique Coupling:** A “bite-the-wire” coupling actually reaches the wire braid for never-slip retention, far superior to the “compression” fittings used on conventional hoses.



Tuff-Skin 1-Wire 4000 PSI Hose



- Hotsy branded bend black restrictor
- Wrapped impression, maximum oil resistant tube and cover with black hose guard, both ends
- 20% greater flexibility
- 7 times greater abrasion resistance
- Built to SAE 100R1AT OD dimensions
- Rated to 275°F

Part No.	Size	ID	Temp	Fittings	PSI
3/8" MPT Swivel x 3/8 MPT Swivel					
8.739-015.0	25'	3/8	275°F	SWxSW	4000
8.739-016.0	50'	3/8	275°F	SWxSW	4000
8.739-017.0	75'	3/8	275°F	SWxSW	4000
8.739-018.0	100'	3/8	275°F	SWxSW	4000
8.739-019.0	150'	3/8	275°F	SWxSW	4000
8.916-332.0	Case of 75 (of 8.739-016.0) - 3/8" x 50 ft Hoses				
8.916-336.0	Case of 40 (of 8.739-018.0) - 3/8" x 100 ft Hoses				

Part No.	Size	ID	Temp	Fittings	PSI
3/8" MPT Swivel x 3/8 MPT Solid					
8.739-010.0	25'	3/8	275°F	SWxSO	4000
8.739-011.0	50'	3/8	275°F	SWxSO	4000
8.739-012.0	75'	3/8	275°F	SWxSO	4000
8.739-013.0	100'	3/8	275°F	SWxSO	4000
8.739-014.0	150'	3/8	275°F	SWxSO	4000

Tuff-Skin 2-Wire 6000 PSI Hose



- Hotsy branded bend red restrictor
- Wrapped impression, maximum oil resistant tube and cover with black hose guard, both ends
- 20% greater flexibility
- 7 times greater abrasion resistance
- Built to SAE 100R1AT OD dimensions
- Rated to 275°F

Part No.	Size	ID	Temp	Fittings	PSI
3/8" MPT Swivel x 3/8 MPT Swivel					
8.739-059.0	25'	3/8	275°F	SWxSW	6000
8.739-060.0	50'	3/8	275°F	SWxSW	6000
8.739-061.0	75'	3/8	275°F	SWxSW	6000
8.739-062.0	100'	3/8	275°F	SWxSW	6000
8.739-063.0	150'	3/8	275°F	SWxSW	6000
3/8" MPT Swivel x 3/8 MPT Solid					
8.739-053.0	25'	3/8	275°F	SWxSO	6000
8.739-054.0	50'	3/8	275°F	SWxSO	6000
8.739-055.0	75'	3/8	275°F	SWxSO	6000
8.739-056.0	100'	3/8	275°F	SWxSO	6000
8.739-057.0	150'	3/8	275°F	SWxSO	6000

HOSE & HOSE REELS

3/8" Tuff-Flex 1-Wire 3000 PSI Hose

Tuff-Flex hose has the same durable cover as the Tuff-Skin hose. A smaller OD allows for even greater flexibility.



- Hotsy branded black bend restrictor
- Wrapped impression, maximum oil resistant tube and cover
- 50% greater flexibility
- 7 times greater abrasion resistance
- Economically priced
- Rated to 275°F

Part No.	Size	ID	Temp	Fittings	PSI
3/8" MPT Swivel x 3/8 MPT Swivel					
8.739-115.0	25'	3/8	275°F	SWxSW	3000
8.739-116.0	50'	3/8	275°F	SWxSW	3000
8.739-117.0	75'	3/8	275°F	SWxSW	3000
8.739-118.0	100'	3/8	275°F	SWxSW	3000
8.739-119.0	150'	3/8	275°F	SWxSW	3000
3/8" MPT Swivel x 3/8 MPT Solid					
8.739-106.0	25'	3/8	275°F	SWxSO	3000
8.739-107.0	50'	3/8	275°F	SWxSO	3000
8.739-108.0	75'	3/8	275°F	SWxSO	3000
8.739-109.0	100'	3/8	275°F	SWxSO	3000
8.739-110.0	150'	3/8	275°F	SWxSO	3000

Tuff-Flex 5000 PSI 2-Wire Hose

Tuff-Flex hose has the same durable cover as the Tuff-Skin hose.



- Hotsy branded red bend restrictor
- Wrapped impression, maximum oil resistant tube and cover
- 50% greater flexibility
- 7 times greater abrasion resistance
- Hose guard on both ends
- 3/8" MPT Swivel x 3/8" MPT Swivel

Part No.	Size	ID	Temp	Fittings	PSI
3/8" MPT Swivel x 3/8 MPT Swivel					
8.739-192.0	25'	3/8	275°F	SWxSW	5000
8.739-193.0	50'	3/8	275°F	SWxSW	5000
8.739-194.0	75'	3/8	275°F	SWxSW	5000
8.739-195.0	100'	3/8	275°F	SWxSW	5000
8.739-196.0	150'	3/8	275°F	SWxSW	5000
8.916-334.0	Case of 75 (of 8.739-193.0) - 3/8" x 50 ft Hoses				
8.916-333.0	Case of 40 (of 8.739-195.0) - 3/8" x 100 ft Hoses				
3/8" MPT Swivel x 3/8 MPT Solid					
8.739-182.0	25'	3/8	275°F	SWxSO	5000
8.739-183.0	50'	3/8	275°F	SWxSO	5000
8.739-184.0	75'	3/8	275°F	SWxSO	5000
8.739-185.0	100'	3/8	275°F	SWxSO	5000
8.739-186.0	150'	3/8	275°F	SWxSO	5000

Tuff-Flex 1-Wire 3000 PSI Blue Non-Mar Hose



- Hotsy branded black bend restrictor
- Smooth, maximum oil resistant tube blue non-marking cover.
- 20% greater flexibility
- 7 times greater abrasion resistance
- Built to SAE 100R1AT OD dimensions
- 3/8" MPT Swivel x 3/8" MPT Swivel

Part No.	Size	ID	Temp	PSI	Color
8.739-121.0	50'	3/8	275°F	3000	Blue
8.739-123.0	100'	3/8	275°F	3000	Blue

Tuff-Flex 2-Wire 4500 PSI Blue Non-Mar Hose



- Hotsy branded red bend restrictor
- Smooth, maximum oil resistant tube blue non-marking cover.
- 20% greater flexibility
- 7 times greater abrasion resistance
- Built to SAE 100R1AT OD dimensions
- 3/8" MPT Swivel x 3/8" MPT Swivel

Part No.	Size	ID	Temp	PSI	Color
8.739-198.0	50'	3/8	275°F	4500	Blue
8.739-200.0	100'	3/8	275°F	4500	Blue

1/4", 3/8" & 1/2" 2-Wire Pressure Loop



1/4" ID Pressure Line

- 1/4" MPT solid x 1/4" MPT swivel
- 1/4" ID two-wire 5000 PSI, 275°F
- Any length available



JIC Pressure Loop

- 1/2" female JIC swivels on each end
- 3/8" and 1/2" ID two-wire 5000 PSI, 275°F
- Any length available, call for special orders

Part No.	Original No.	Size	PSI	Description
8.711-549.0	4-02021216	16" x 1/4" ID	5000	1/4" Pressure Line
8.711-550.0	4-02021220	20" x 1/4" ID	5000	1/4" Pressure Line
8.711-552.0	4-02021226	26" x 1/4" ID	5000	1/4" Pressure Line
8.711-553.0	4-02021228	28" x 1/4" ID	5000	1/4" Pressure Line
8.711-554.0	4-02021230	30" x 1/4" ID	5000	1/4" Pressure Line
9.802-231.0	4-02021236	36" x 1/4" ID	5000	1/4" Pressure Line
8.711-558.0	707522	42" x 1/4" ID	5000	1/4" Pressure Line
8.711-653.0	707512	16" x 3/8" ID	5000	JIC Pressure Loop
9.802-239.0	4-02047720	20" x 3/8" ID	5000	JIC Pressure Loop
9.802-240.0	4-02047722	22" x 3/8" ID	5000	JIC Pressure Loop
9.802-241.0	707513	25" x 3/8" ID	5000	JIC Pressure Loop
9.802-242.0	707529	29" x 3/8" ID	5000	JIC Pressure Loop
9.802-244.0	867770	36" x 3/8" ID	5000	JIC Pressure Loop
8.711-662.0	4-02047738	38" x 3/8" ID	5000	JIC Pressure Loop
8.711-664.0	4-02047742	42" x 3/8" ID	5000	JIC Pressure Loop
8.711-700.0	4-02067720	20" x 1/2" ID	5000	JIC Pressure Loop
8.711-701.0	4-02067722	22" x 1/2" ID	5000	JIC Pressure Loop
8.711-702.0	4-02067728	28" x 1/2" ID	5000	JIC Pressure Loop
8.711-705.0	4-02067746	46" x 1/2" ID	5000	JIC Pressure Loop
8.711-707.0	4-02067770	70" x 1/2" ID	5000	JIC Pressure Loop

Legacy Rawhide Hose



Superior abrasion-resistant cover hose for use with: hot or cold-water pressure washer

All standard 3/8" RAWHIDE assemblies include:

- 1 solid end and 1 swivel end
- 8" molded vinyl, color coded bend restrictors (both ends)
- Class A ORS (Oil Resistance Standard) for longer life
- Superior flexibility
- Temperature up to 275°F



Rawhide 1-Wire 4000 PSI Black Hose

Part No.	Original No.	Length	Temp	Working PSI	Approx wt lbs
3/8" Black Hose (wrapped)					
8.739-030.0	158265	25' x 3/8" ID	275°F	4000	6.00
8.901-774.0	158270	30' x 3/8" ID	275°F	4000	7.00
8.901-776.0	158275	40' x 3/8" ID	275°F	4000	10.00
8.739-031.0	158280	50' x 3/8" ID	275°F	4000	12.00
8.739-032.0	158285	75' x 3/8" ID	275°F	4000	17.00
8.739-033.0	158290	100' x 3/8" ID	275°F	4000	23.00
8.739-034.0	158295	150' x 3/8" ID	275°F	4000	34.00

8.724-037.0*	158200	Per Foot			
8.916-353.0		Case of 75 (of 8.739-031.0) - 3/8" x 50 ft Hoses			
8.916-355.0		Case of 75 (of 8.739-033.0) - 3/8" x 50 ft Hoses			

*500 ft reel, 50 ft incremental lengths (max 3 pieces)

Rawhide Smooth Cover Black Hose

Part No.	Original No.	Length	Temp	Working PSI	Approx wt lbs
3/8" Smooth 3000 PSI 1-Wire Hose					
8.740-216.0		25' x 3/8" ID	250°F	3000	6.00
8.740-217.0		50' x 3/8" ID	250°F	3000	13.00
8.740-218.0		75' x 3/8" ID	250°F	3000	19.00
8.740-219.0		100' x 3/8" ID	250°F	3000	25.00

3/8" Smooth 4500 PSI 2-Wire Hose					
8.740-220.0		25' x 3/8" ID	250°F	4500	8.00
8.740-221.0		50' x 3/8" ID	250°F	4500	15.00
8.740-222.0		75' x 3/8" ID	250°F	4500	21.00
8.740-223.0		100' x 3/8" ID	250°F	4500	28.00

Legacy Rawhide 2-Wire 3/8" Hose

All black 2-wire Legacy Rawhide hose is now rated at 6000 PSI!

2-Wire RAWHIDE assemblies include:

- 1 solid end and 1 swivel end
- 6000 PSI rating - Black
- 4500 PSI rating - Blue
- 8" bend restrictors (both ends)
- Superior flexibility
- Beefed up high tensile steel wire braid
- Higher abrasion resistance
- New Temperature up to 275°F



Rawhide 1-Wire 3000 PSI Smooth Non-Marking Hose

ANIMAL FAT RESISTANT

Part No.	Original No.	Length	Temp	Working PSI	Approx wt lbs
3/8" Smooth Yellow Hose					
8.901-800.0	158980	50' x 3/8" ID	275°F	3000	12.00
8.901-802.0	158985	75' x 3/8" ID	275°F	3000	17.00
8.901-804.0	158990	100' x 3/8" ID	275°F	3000	23.00
8.705-720.0*	158900	Per Foot			

3/8" Smooth Blue Hose					
8.739-148.0	158780	50' x 3/8" ID	275°F	3000	12.00
8.739-149.0	158785	75' x 3/8" ID	275°F	3000	17.00
8.739-150.0	158790	100' x 3/8" ID	275°F	3000	23.00
8.739-369.0	158795	150' x 3/8" ID	275°F	3000	34.00
8.724-371.0	158700*	Per Foot			

3/8" Smooth Gray Hose					
8.749-935.0		50' x 3/8" ID	250°F	3000	13.00
8.749-936.0		100' x 3/8" ID	250°F	3000	25.00
8.749-945.0*		Per Foot			

1/4" Smooth Blue Hose					
8.901-796.0	158880	50' x 1/4" ID	275°F	3000	8.00
8.901-798.0	158890	100' x 1/4" ID	275°F	3000	16.00
8.705-718.0*	158800	Per Foot			

*500 ft reel, 50 ft incremental lengths (max 3 pieces)

See Page 40 for fittings to make custom hose

Part No.	Original No.	Length	Temp	Working PSI	Approx wt lbs
3/8" Black Hose (6000 PSI) - Wrapped					
8.739-077.0	159565	25'	275°F	6000	9.00
8.739-078.0	159580	50'	275°F	6000	17.00
8.739-079.0	159585	75'	275°F	6000	25.00
8.739-080.0	159590	100'	275°F	6000	33.00
8.739-081.0	159595	150'	275°F	6000	48.00
8.724-042.0*	159300	Per Foot			

*450 ft reel, 50 ft incremental lengths (max 3 pieces)

Part No.	Original No.	Length	Temp	Working PSI	Approx wt lbs
3/8" BLUE Hose (4500 PSI) - Smooth					
8.739-229.0	154415	50' x 3/8" ID	275°F	4500	17.00
8.739-231.0	154425	100' x 3/8" ID	275°F	4500	33.00
8.705-651.0	154400	Per Foot			

Legacy Ultima Hose

Wrapped cover hose with a smaller outside diameter for even greater flexibility!

All standard Ultima assemblies include:

- 1 solid end and 1 swivel end
- 8" molded vinyl color coded bend restrictors (both ends)
- Wrapped impression, maximum oil resistant tube and cover
- 50% greater flexibility
- Temperature up to 275°F



Ultima 1-Wire 3000 PSI Black Hose (wrapped)

Part No.	Original No.	Description	Approx Wt-lbs
3/8" Black Hose			
8.739-373.0	153550	15' x 3/8" ID	5.0
8.739-142.0	153555	25' x 3/8" ID	7.0
8.901-513.0	153560	30' x 3/8" ID	
8.739-143.0	153570	50' x 3/8" ID	13.0
8.739-144.0	153575	75' x 3/8" ID	19.0
8.739-145.0	153590	100' x 3/8" ID	25.0
8.739-146.0	153595	150' x 3/8" ID	37.0
8.724-047.0*	153000	Per Foot	

*Full Reel – 450 ft, hose only, 50 ft incremental lengths (max 3 pieces)

1/2" Black Hose

8.739-420.0	155425	25' x 1/2" ID	7.50
8.739-421.0	155450	50' x 1/2" ID	14.00
8.739-422.0	155475	75' x 1/2" ID	21.00
8.739-423.0	155499	100' x 1/2" ID	27.00
8.724-067.0*	155400	Per Foot	

*Full Reel – 350 ft, hose only, 50 ft incremental lengths (max 3 pieces)

1/4" Black Hose

8.901-418.0	151025	25' x 1/4" ID	5.00
8.901-423.0	151030	30' x 1/4" ID	6.00
8.901-427.0	151050	50' x 1/4" ID	10.00
8.901-429.0	151075	75' x 1/4" ID	15.00
8.901-430.0	151090	100' x 1/4" ID	20.00
8.724-065.0*	151000	Per Foot	

*Full Reel – 800 ft, hose only, 50 ft incremental lengths (max 3 pieces)

1-Wire Custom Hose Fittings:

These hose fittings can be used with any 1-Wire Per Foot Hose

Part No.	Original No.	Custom Length
3/8" Hose		
8.724-335.0	150232*	add fitting(s) and bend restrictor
8.901-309.0	150205*	add fitting(s) only
1/2" Hose		
8.724-333.0	150220*	add fitting(s) and bend restrictor
8.901-321.0	150222*	add fitting(s) only
1/4" Hose		
8.724-313.0	150210*	add fitting(s) and bend restrictor
8.901-314.0	150212*	add fitting(s) only

*Assembly – Add to cost of custom length (labor & fittings - 1 solid, 1 swivel)

Ultima 2-Wire 5000 PSI Black Hose (wrapped)

Part No.	Original No.	Description	Approx Wt-lbs
3/8" Black Hose			
8.739-222.0	154215	15' x 3/8" ID	5.75
8.739-223.0	154225	25' x 3/8" ID	8.00
8.739-224.0	154250	50' x 3/8" ID	15.00
8.739-225.0	154275	75' x 3/8" ID	22.00
8.739-226.0	154290	100' x 3/8" ID	28.00
8.739-227.0	154294	150' x 3/8" ID	42.00
8.724-052.0	154000*	Per Foot	
8.916-354.0		Case of 75 (of 8.739-224.0) - 3/8" x 50 ft Hoses	
8.916-356.0		Case of 40 (of 8.739-226.0) - 3/8" x 100 ft Hoses	

*Full Reel – 459 ft per reel, hose only, 50 ft incremental lengths (max 3 pieces)

1/2" Black Hose

8.739-424.0	155725	25' x 1/2" ID	9.25
8.739-425.0	155750	50' x 1/2" ID	18.00
8.739-426.0	155775	75' x 1/2" ID	26.80
8.739-427.0	155790	100' x 1/2" ID	35.50
8.724-068.0	155700**	Per Foot	

*Full Reel – 450 ft per reel, hose only, 50 ft incremental lengths (max 3 pieces)

**Full Reel – 350 ft per reel, hose only (max 3 pieces)

2-Wire Custom Hose Fittings:

These hose fittings can be used with any 2-Wire Per Foot Hose

Part No.	Original No.	Custom Length
3/8" Hose		
8.724-336.0	150204*	add fitting(s) and bend restrictor
8.901-309.0	150205*	add fitting(s) only
1/2" Hose		
8.724-334.0	150224*	add fitting(s) and bend restrictor
8.901-321.0	150222*	add fitting(s) only

*Assembly – Add to cost of custom length (labor & fittings - 1 solid MPT, 1 swivel MPT)

Hose Bend Restrictors



- Top quality molded fit bend restrictors
- Fits snugly to prevent kinks near the connectors
- Non-slip sure fit
- Easy installation, 325°F

Part No.	Original No.	Size	Hose Size/Type	Color/Material
8.705-479.0	150166	5.3"	1/4" 1 wire	Black Vinyl
8.705-476.0	150161	6.0"	3/8" 1 wire	Black Vinyl
8.705-478.0	150164	6.0"	3/8" 2 wire	Red Vinyl
8.705-481.0	150170	7.0"	1/2" 1 wire	Black Vinyl
8.705-480.0	150168	7.0"	1/2" 2 wire	Red Vinyl
8.705-483.0	150174	6.5"	3/8" Combo	Gray Vinyl
8.705-482.0	150172*	6.5"	1/2" Combo	Black Rubber

*Insulated Rubber

Hobby Hose

Replacement hose for most hobby pressure washers sold by mass retailers.



- Thermoplastic cover
- Fiber-braid reinforcement
- 2250 PSI working pressure
- 9000 PSI burst pressure
- M22 x 1.5 fitting inlet
- 14mm seal cone fits Karcher, Generac & Excell
- 15mm seal cone fits Campbell, MI-T-M

Part No.	Original No.	Seal Cone	ID	Length
8.705-485.0	150245	14mm	1/4"	25 ft
8.705-487.0	150246	15mm	1/4"	25 ft
8.711-531.0	4-02010025M	22mm*	1/4"	25 ft

NOTE: See Hobby Gun and Lance on page 35
*Both Ends

Whitewater® Combination Steam Hose



Good up to 3000 PSI / 250°F or 350 PSI / 325°F.



- Single high-tensile steel wire braid
- High temperature bend restrictors – both ends
- Seamless innertube
- Solid 3/8" or 1/2" MPT connectors – both ends (Swivel ends NOT available)
- Oil-resistant cover

Part No.	Original No.	Length	PSI
3/8" Hose			
8.901-599.0	867421	30'	up to 3000
8.901-601.0	707180	50'	up to 3000
8.901-598.0	153925	25'	up to 3000
8.901-603.0	153975	75'	up to 3000
8.901-604.0	153990	100'	up to 3000
8.705-643.0	153900*	Full Reel	

1/2" Hose			
8.901-721.0	155625	25'	up to 2500
8.901-723.0	155650	50'	up to 2500
8.901-724.0	155675	75'	up to 2500
8.901-725.0	155690	100'	up to 2500
8.705-678.0	155600*	Full Reel	

*500 ft per reel, hose only, 50 ft incremental lengths (max 3 pieces)

Part No.	Original No.	Custom Lengths
3/8" Hose		
8.705-643.0	153900	per ft / hose only
8.901-316.0	150215*	add fitting(s) and bend restrictor
8.901-317.0	150216*	add fitting(s) only
1/2" Hose		
8.705-678.0	155600	per ft / hose only
8.901-327.0	150230*	add fitting(s) and bend restrictor
8.901-326.0	150228*	add fitting(s) only

*Assembly – Add to cost of custom length (labor & fittings - 2 solid MPT)

Orange 600 & Ribbed PVC Sprayer Hose



Braid reinforced PVC hose designed specifically for AG / Pest control spraying applications.



- Tough Ribbed Cover
- Color - Orange
- 600 PSI max pressure
- Bulk Hose Standard in 300' Single Length Coils
- Resists Abrasion and UV Rays

Part No.	Original No.	Length
3/8" Hose - Orange		
8.705-527.0	150630	300' Coil (Single, Uncut Length)
8.901-384.0	150634	50' Length (Bulk)
8.901-385.0	150636	100' Length (Bulk)
8.901-383.0	150632	Per Foot (Minimum 25')
8.724-335.0	150232	1-Wire Custom Hose Fitting

1/2" Hose - Orange		
8.705-523.0	150601	300' Coil (Single, Uncut Length)
8.901-377.0	150603	50' Length
8.901-379.0	150606	100' Length
8.705-524.0	150602	Per Foot (Minimum 25')
8.724-333.0	150220	1-Wire Custom Hose Fitting

3/4" Hose - Orange		
8.705-531.0	150660	300' Coil (Single, Uncut Length)
8.901-386.0	150662	Per Foot (Minimum 25')
8.901-351.0	150295	SO/SW Assy w/o Bend Restrictor

NOTE: All Above Hoses Can Be Custom Fitted – with MPT Fittings, Male or Female Garden Hose Solid or Swivel Fittings, with or without Bend Restrictors, etc. Combinations Are Too Numerous To List – CALL FOR CUSTOM ASSEMBLY PRICING!

Garden Hose - APEX Quality



- Reinforced hoses for flexibility & strength in all weather
- Assemblies complete with bend restrictor • Commercial grade has machined octagonal "wrench tight" fittings

Part No.	Original No.	Length	ID	Grade	Color
8.704-786.0	121315	50'	5/8"	Com	Gray
8.704-787.0	121319	100'	5/8"	Com	Gray
8.704-788.0	121332	50'	5/8"	HD	Lt. Green
8.704-789.0	121336	100'	5/8"	HD	Lt. Green

All Rubber Reinforced Hot Water (160°F) Hose

8.704-790.0	121344	50'	5/8"	Com	Red
8.704-791.0	121348	50'	3/4"	Com	Red

Cold Weather Garden Hose



- Ideal for outdoor contractors
- Thermostatically controlled - heating element is activated at +/- 35°F temperature and turned off at +/- 40 F ambient temperature
- Heated hose with 110 plug
- Use only with a UL approved GFCI outlet or extension
- 5/8" - 50 ft.
- PVC material FDA approved for potable water
- High quality brass fittings

Part No.	Description
8.749-944.0	50' Cold Weather Garden Hose

HOSE & HOSE REELS

Sewer Hose

SUPER FLEXIBLE SEWER LINE HOSE Hose and couplings have small outside diameter, allowing hose and nozzles to fit through sewer line. Sewer line has Super Tough poly-ether cover over ultra-flexible nylon tube. (1/8" sewer nozzle and hose will operate through many 1-1/2" lines.)



(Nozzles not included.)

- 160°F max temperature
- Nylon tube, poly-ether cover

Part No.	Original No.	Description	PSI
1/8" Hose, 1/4" inlet / 1/8" outlet			
8.705-601.0	150960	1/8" x 25'	4800
8.705-602.0	150963	1/8" x 50'	4800
8.705-603.0	150964	1/8" x 100'	4800
1/4" Hose, 1/4" inlet / 1/4" outlet			
8.705-607.0	150968	1/4" x 50'	2600
8.705-608.0	150970	1/4" x 100'	2600
8.705-610.0	150972	1/4" x 50'	4400
8.705-611.0	150973	1/4" x 100'	4400

Connector Hose - 2' - 10'



Connector hose come with 1 solid / 1 swivel end. NOTE: Add the suffix "B" to the Original No. to include Bend Restrictors.

Part No.	Orig. No.	Lengths	Part No.	Orig. No.	Lengths
3/8" Ultima - 2 wire 4500 PSI					
8.901-608.0	154102	2'	8.901-623.0	154107	7'
8.901-611.0	154103	3'	8.901-625.0	154108	8'
8.901-614.0	154104	4'	8.901-628.0	154109	9'
8.901-617.0	154105	5'	8.901-630.0	154110	10'
8.901-620.0	154106	6'			

NOTE: Add the suffix "B" to the Original No. to include Bend Restrictors

Part No.	Orig. No.	Lengths	Part No.	Orig. No.	Lengths
3/8" Apex 3000 - 1 wire 3000 PSI					
8.901-457.0	153002	2'	8.901-476.0	153007	7'
8.901-460.0	153003	3'	8.901-479.0	153008	8'
8.901-464.0	153004	4'	8.901-482.0	153009	9'
8.901-467.0	153005	5'	8.901-484.0	153010	10'
8.901-472.0	153006	6'			

NOTE: Add the suffix "B" to the Orig. No. to include Bend Restrictors

Part No.	Orig. No.	Lengths	Part No.	Orig. No.	Lengths
1/2" Ultima 4500 - 2 wire 4500 PSI					
8.901-726.0	155702	2'	8.901-737.0	155707	7'
8.901-729.0	155703	3'	8.901-738.0	155708	8'
8.901-731.0	155704	4'	8.901-739.0	155709	9'
8.901-733.0	155705	5'	8.901-740.0	155710	10'
8.901-735.0	155706	6'			

NOTE: Add the suffix "B" to the Orig. No. to include Bend Restrictors

Part No.	Orig. No.	Lengths	Part No.	Orig. No.	Lengths
1/4" Apex 3000 - 1 wire 3000 PSI					
8.901-394.0	151002	2'	8.901-402.0	151007	7'
8.901-396.0	151003	3'	8.901-403.0	151008	8'
8.901-397.0	151004	4'	8.901-405.0	151009	9'
8.901-398.0	151005	5'	8.901-406.0	151010	10'
8.901-400.0	151006	6'			

NOTE: Add the suffix "B" to the Orig. No. to include Bend Restrictors

Connector Hose / Carwash Bay Hose - 12' - 25'



All Carwash Bay hose come with Solid Male Pipe on both ends. NOTE: Add the suffix "B" to the Original No. to include Bend Restrictors.

Part No.	Orig. No.	Lengths	Part No.	Orig. No.	Lengths
3/8" Apex 3000 - 1 wire 3000 PSI					
8.902-576.0	261212	12'	8.902-590.0	261219	19'
8.902-578.0	261213	13'	8.902-592.0	261220	20'
8.902-580.0	261214	14'	8.902-594.0	261221	21'
8.902-582.0	261215	15'	8.902-596.0	261222	22'
8.902-584.0	261216	16'	8.902-598.0	261223	23'
8.902-586.0	261217	17'	8.902-600.0	261224	24'
8.902-588.0	261218	18'	8.902-602.0	261225	25'

NOTE: Add the suffix "B" to the Orig. No. to include Bend Restrictors

Part No.	Orig. No.	Lengths	Part No.	Orig. No.	Lengths
1/4" Apex 3000 - 1 wire 3000 PSI					
8.902-545.0	261112	12'	8.902-560.0	261119	19'
8.902-547.0	261113	13'	8.902-562.0	261120	20'
8.902-549.0	261114	14'	8.902-564.0	261121	21'
8.902-551.0	261115	15'	8.902-565.0	261122	22'
8.902-554.0	261116	16'	8.902-567.0	261123	23'
8.902-556.0	261117	17'	8.902-569.0	261124	24'
8.902-558.0	261118	18'	8.902-571.0	261125	25'

NOTE: Add the suffix "B" to the Orig. No. to include Bend Restrictors

Part No.	Orig. No.	Lengths	Part No.	Orig. No.	Lengths
3/8" Blue - 1 wire 3000 PSI					
8.902-604.0	261312	12'	8.902-625.0	261319	19'
8.902-607.0	261313	13'	8.902-628.0	261320	20'
8.902-610.0	261314	14'	8.902-631.0	261321	21'
8.902-613.0	261315	15'	8.902-634.0	261322	22'
8.902-616.0	261316	16'	8.902-637.0	261323	23'
8.902-619.0	261317	17'	8.902-640.0	261324	24'
8.902-622.0	261318	18'	8.902-643.0	261325	25'

NOTE: Add the suffix "B" to the Orig. No. to include Bend Restrictors

Part No.	Orig. No.	Lengths	Part No.	Orig. No.	Lengths
1/4" Blue - 1 wire 3000 PSI					
8.902-646.0	261362	12'	8.902-663.0	261369	19'
8.902-648.0	261363	13'	8.902-665.0	261370	20'
8.902-650.0	261364	14'	8.902-667.0	261371	21'
8.902-652.0	261365	15'	8.902-669.0	261372	22'
8.902-655.0	261366	16'	8.902-671.0	261373	23'
8.902-658.0	261367	17'	8.902-673.0	261374	24'
8.902-660.0	261368	18'	8.902-675.0	261375	25'

NOTE: Add the suffix "B" to the Orig. No. to include Bend Restrictors

“Field” Attachable Couplings

Design and Build Your Own Hose or Adapt and Repair Hose in the Field (No Crimper Required)



Couplings for 1 Wire Braid Hose

Part No.	Original No.	ID x MPT	Type
8.705-493.0	150502	1/4" x 1/4"	Solid
8.705-495.0	150505	1/4" x 1/4"	Swivel
8.705-496.0	150510	3/8" x 1/4"	Solid
8.705-497.0	150511	3/8" x 3/8"	Solid
8.705-498.0	150513	3/8" x 3/8"	Swivel
8.705-499.0	150515	1/2" x 3/8"	Solid
8.705-500.0	150516	1/2" x 1/2"	Solid
8.705-501.0	150518	1/2" x 1/2"	Swivel

Couplings for 2 Wire Braid Hose

Part No.	Original No.	ID x MPT	Type
8.705-502.0	150532	1/4" x 1/4"	Solid
8.705-503.0	150535	1/4" x 1/4"	Swivel
8.705-504.0	150540	3/8" x 1/4"	Solid
8.705-505.0	150541	3/8" x 3/8"	Solid
8.705-506.0	150543	3/8" x 3/8"	Swivel
8.705-507.0	150546	1/2" x 1/2"	Solid
8.705-508.0	150548	1/2" x 1/2"	Swivel

Clear PVC Tubing



- “Box Pak” 100 ft
- 25°F to 150°F
- Very flexible – Non-reinforced
- Packaged in self-dispensing box

Part No.	Original No.	ID	OD	WP @70°
8.901-279.0	121070	1/4"	3/8"	55
8.704-766.0	121106	1/2"	5/8"	30

Flex Line Bypass / Supply Line Hose

Industrial PVC hose with black seamless inner tube, polyester braid reinforced tough outer cover. Excellent for use as supply lines or bypass lines. Typically used for air hoses.



- Looks & feels like rubber
- Smooth dirt- & oil-resistant finish
- Super flexible
- Abrasion-resistant cover
- Burst-rated 3 times WP

Part No.	Original No.	ID x OD	WP @ 70°	Roll Length
Red Cover, heavy wall				
8.901-281.0	121081	3/8" x .634"	300	50'
8.704-762.0	121084	3/8" x .634"	300	500'
8.901-282.0	121087	1/2" x .792"	250	50'
8.704-764.0	121090	1/2" x .792"	250	500'
8.901-284.0	121097	3/4" x 1.14"	160	50'
8.704-765.0	121099	3/4" x 1.14"	160	300'
Blue Cover, standard wall				
8.704-779.0	121160	1/4" x .475"	250	100'

Clear Reinforced PVC Tubing

Multi-use industrial grade tubing with high resistance to chemicals, solvents & fuel.



- Reinforced with polyester cord
- Huge selection of sizes and lengths
- 4 to 1 Burst Safety Factor

Part No.	Original No.	ID x OD	Roll Length	WP @ 70°
8.901-256.0	121031	1/4" x 3/8"	25'	250
8.901-257.0	121032	1/4" x 3/8"	50'	250
8.704-751.0	121033	1/4" x 3/8"	100'	250
8.704-752.0	121034	1/4" x 3/8"	300'	250
8.901-260.0	121036	3/8" x 1/2"	25'	175
8.901-261.0	121037	3/8" x 1/2"	50'	175
8.901-262.0	121038	3/8" x 1/2"	100'	175
8.704-753.0	121039	3/8" x 1/2"	300'	175
8.901-264.0	121041	1/2" x 3/4"	25'	175
8.901-265.0	121042	1/2" x 3/4"	50'	175
8.704-754.0	121043	1/2" x 3/4"	100'	175
8.704-755.0	121044	1/2" x 3/4"	300'	175
8.901-267.0	121046	5/8" x 7/8"	25'	140
8.901-268.0	121047	5/8" x 7/8"	50'	140
8.901-269.0	121048	5/8" x 7/8"	100'	140
8.704-756.0	121049	5/8" x 7/8"	300'	140
8.901-271.0	121051	3/4" x 1"	25'	140
8.901-272.0	121052	3/4" x 1"	50'	140
8.704-757.0	121053	3/4" x 1"	100'	140
8.704-758.0	121054	3/4" x 1"	300'	140
8.901-273.0	121059	1" x 1-1/4"	25'	75
8.901-274.0	121060	1" x 1-1/4"	50'	75
8.901-275.0	121061	1" x 1-1/4"	100'	75
8.704-759.0	121063	1" x 1-1/4"	200'	75

Pulse Hose



- 1300 PSI working pressure
- Available with either plug-end or open flow with solid/swivel connects
- 3/8" MPT on both styles

Part No.	Original No.	Description
8.711-151.0	381118	18" with Plug End
8.711-153.0	381124	24" with Plug End
8.711-155.0	381128	28" Solid/Swivel - Open
8.711-157.0	381136	36" Solid/Swivel - Open

Hotsy Hose Reels



Fully assembled and ready to use!

Hotsy hose reels were designed for ease of use and durability in commercial pressure washer applications.

Offering 100' and 200' reels in both a fixed base and 360 degree rotating base. The oversized reel holds the advertised length plus leaves additional space reducing the difficulty of reeling hose. The unique extended swivel improves the hose connection and reduces hose wear and stress.

Features:

- 1. Rugged heavy-duty construction** for commercial applications.
 - Heavy gauge steel fabrication
 - Gloss black powder coating
 - Easy to use brake mechanism reduces unwinding backlash
 - Oversized heavy-duty locking mechanism prevents slippage during reel operation.
 - Durable handle
- 2. "Flip-Over" hose guide:** Allows ease of use from either side of the reel
- 3. Oversized:** Oversized to easily fit the advertised length of hose. When we say 100' we mean 100+ feet will easily fit.
- 4. Swivel design:** The reels come with an extended swivel which prevents bends and stress on the hose where it attaches to the reel.
- 5. Rotary mount:** 360 degree rotation with an oversized heavy-duty locking mechanism. Allows for continual alignment with the hose.
 - Mount to round or square tubing
- 6. Fully assembled:** Ready to use out of the box. Saves time and money.

Specifications:

- 5000 PSI
- 325°F
- 100' and 200' fixed base
- 100' and 200' 360 degree rotating base
- High pressure double seal swivels.



Part No.	Description	Length
8.750-486.0	Pivot Reel	100' x 3/8"
8.750-483.0	Pivot Reel	200' x 3/8"
8.750-478.0	Fixed Based	100' x 3/8"
8.750-481.0	Fixed Based	200' x 3/8"

NOTE: Hose not included

Legacy Hose Reel Swivels



- 5000 PSI
- Stainless steel rotor
- Unique dual seal for extra long life
- 2 year warranty

Innovative Design



Protect your hose -

Limit bend and hose stress

- 5000 PSI
- Stainless steel rotor
- Unique dual seal for extra long life
- 2 year warranty

Swivel Repair Kits

Part No.
8.776-001.0

Swivels

Part No.	Inlet x Outlet
9.118-021.0*	1/2" M x 3/8" F
9.118-022.0	1/2" F x 3/8" F
9.118-023.0	3/8" M x 3/8" F
9.118-024.0	3/8" F x 3/8" F
9.118-025.0	1/2" M x 1/2" F
9.118-026.0	1/2" F x 1/2" F
9.118-027.0	3/8" M x 1/2" F
9.118-028.0	3/8" F x 1/2" F

* Replacement Swivel for Legacy hose reel

Extended Swivels

Part No.	Inlet x Outlet
9.118-020.0*	1/2" M x 3/8" F
9.118-029.0	1/2" F x 3/8" F
9.118-030.0	3/8" M x 3/8" F
9.118-031.0	3/8" F x 3/8" F
9.118-032.0	1/2" M x 1/2" F
9.118-033.0	1/2" F x 1/2" F
9.118-034.0	3/8" M x 1/2" F
9.118-035.0	3/8" F x 1/2" F

* Replacement Swivel for Legacy hose reel

Rapid Reel Swivels

Rapid Reel's very own swivel is designed specifically for pressure washers and is the ONLY swivel guaranteed not to leak for 2 years! A stainless rotor and unique dual seal deliver extra long life.



- 5000 PSI
- Stainless steel rotor
- Unique dual seal for extra long life
- 2 year warranty

Part No.	Original No.	Description – FPT x FPT
8.711-873.0	4-02751028	1/2" FPT x 3/8" FPT
8.750-475.0		1/2" MPT x 3/8" FPT
8.711-877.0	4-02751029	Repair Kit

Hose Reel Mounting Brackets



Part No.	Description
8.919-441.0	45° Support Arm for Non-Pivot Reel*
8.919-445.0	90° Support Arm for Non-Pivot Reel*
8.919-448.0	Vertical Support Arm for Non-Pivot Reel*
8.919-430.0	Universal Pivot Bracket (1-1/2") - for square tubular frame i.e. Hotsy 1200 Series, 965B, 1075BE, 1080BE, HSS Series
8.919-437.0	Wall Mount Pivot Bracket (1-1/2")
8.918-784.0	Drop-in Non-Pivot Bracket (1-1/4")
8.919-434.0	Base Mount Pivot Bracket (1-1/2")
8.919-072.0	Bracket, Non-Pivot Universal (for Hotsy 871SS, 965SS, 1065SS, 1065SSE, 1075SSE)
8.919-794.0	Skid Pivot Mount Bracket

*The support arms work for Hotsy models with built in pole receiver for hose reels; i.e. 500, 700, 900, and 1400 Series.

HOTSY EZ Reel Kits



The Hotsy EZ Reel is built tough and affordable. Holds 100' of 3/8" ID hose. Convenient mounting kits have been designed to adapt this reel to most Hotsy models. See below.



- 4000 PSI @ 225°F
- Solid center core
- These mounting kits contain connection hoses, hardware and reel

Part No.	Description
9.804-067.0	Hose Reel (for 100' 3/8" Hose)
8.712-460.0	Replacement Swivel
8.900-855.0	Repair Kit, Swivel
8.700-188.0	Replacement Handle

Pivot Mounting Brackets

Select one of the pivot reels above and simply bolt it to this bracket.



8.750-450.0

Part No.	Description
8.750-450.0*	Universal Bracket mount

*Universal bracket mounts to any round pipe, square tube or angle iron up to 1-1/2" in size.

Coxreels Hose Reels



8.711-858.0

9.802-265.0

Spring Driven Hose Reel

- Light weight, compact design
- Adjustable drag brake
- Sturdy U-shaped frame
- Up to 4000 PSI
- Rolled edges & ribbed discs provide strength & safety
- Pro-Grade heavy duty steel
- 2-year mfg. limited warranty



8.723-649.0
(hose and ball stop not included)

Coxreels offer high performance in a very compact and lightweight hand crank or spring driven hose reel. Perfect for mobile application and permanent floor and wall mount.

- Rated up to 4000 PSI
- -20°F to 225°F
- Adjustable drag brake
- 90° brass swivel

Part No.	Original No.	Description	PSI
8.711-858.0	4-02750001	200' x 1/2" (300' x 3/8" with Adapter)	3000
8.711-860.0	4-02750002	50' x 3/8"	4000
9.802-265.0	4-02750003	100' x 3/8"	4000
8.711-591.0	4-020369	Handle Replacement	
8.711-588.0	4-020366	Locking Pin Assy	
8.723-649.0	87236490	50' x 3/8" Spring Driven	4000
8.705-132.0	140407	1/2" to 3/8" Adapter (for 8.711-858.0)	
8.750-020.0		Ball Stop for 8.723-649.0	
8.711-584.0	4-020362	Replacement Swivel, 1/2"	
8.711-585.0	4-020363	Replacement Swivel, 3/8"	

AP Hose Reels

AP hose reels have been designed to perfectly balance ruggedness and durability with affordability.



Swivel Repair Kits

Part No.	Original No.
8.900-855.0	753295

- Flared flanges for maximum capacity
- Solid center core for maximum strength
- Rolled beaded edge flanges for maximum safety
- Easy mounting options for maximum versatility
- "Posi-Pin" lock, prevents unwanted dereeling
- Heavy-duty powder coated steel
- Easy access external swivel
- 4000 PSI working pressure
- Rated temp: 225°F
- 3/8" or 1/2" Inlet/Outlet

Part No.	Original No.	Hose Dia	Capacity (in feet)	Core Width	Flange Width	Flange Diameter	Overall Height
8.711-192.0	386188	3/8"	50	4.3	7.9	10.5	13.0"
9.804-067.0	386191	3/8"	100	8.7	12.2	10.5	13.0"
8.711-199.0	386206	3/8"	150	6.3	10.2	13.0	16.7"
8.711-201.0	386209	1/2"	100	6.3	10.2	13.0	16.7"
8.712-460.0	421043	Replacement Swivel for Part No. 8.711-192.0 and 9.804-067.0					
8.712-469.0	421063	Replacement Swivel for Part No. 8.711-199.0					
8.712-462.0	421045	Replacement Swivel for Part No. 8.711-201.0					
8.700-188.0	4-0203612	Replacement Handle					

NOTE: Hose is not included in price. See page 42 for connector hose.



Swivel Repair Kits

Part No.	Orig. No.	Hose Dia
8.700-287.0	075130	3/8"
8.700-285.0	075128	1/2"
8.900-855.0	110025*	

*For Round Swivels

- Super-reinforced core – Won't collapse!
- Adjustable brake for controlled reel tension
- Convenient external swivel
- Manual rewind handle included
- Solid core bolts onto flanges for extra strength
- 225°F max temperature
- Snap lock to prevent accidental dereeling
- Bearings have oil cap for easy field maintenance
- 4000 PSI working pressure

Professional Size Reel

Part No.	Original No.	Hose Dia	Capacity (in feet)	Reel Size Width	Reel Size Diameter
8.711-182.0	386174	3/8"	150	6"	18"
8.711-183.0	386175	3/8"	300	10"	18"
8.711-184.0	386176	3/8"	350	14"	18"
8.711-189.0	386181	1/2"	200	10"	18"
8.711-190.0	386182	1/2"	270	14"	18"
8.715-921.0	600975T	Replacement Brake for Part No. 8.711-182.0 and 8.711-183.0			

NOTE: Hose is not included in price. Interchangeable parts available. Call for pricing. See page 43 for connector hose.

Space Saver Reel

Part No.	Original No.	Hose Dia	Capacity (in feet)	Reel Size Width	Reel Size Diameter
8.711-179.0	386171	3/8"	90	6"	14"
8.711-180.0	386172	3/8"	140	10"	14"
8.711-181.0	386173	3/8"	200	14"	14"
8.711-186.0	386178	1/2"	115	10"	14"
8.711-187.0	386179	1/2"	150	14"	14"

NOTE: Hose is not included in price. Interchangeable parts available. Call for pricing. See page 42 for connector hose.

Replacement Swivels

See page 51